

SIEMENS

SIMATIC

SIMATIC IOT IOT2000, Input/Output Module

Operating Instructions

Preface

Overview

1

Safety notes

2

Installing and connecting the
IOT2000, Input/Output
Module

3

Technical specifications

4

Appendix

A

Legal information

Warning notice system

This manual contains notices you have to observe in order to ensure your personal safety, as well as to prevent damage to property. The notices referring to your personal safety are highlighted in the manual by a safety alert symbol, notices referring only to property damage have no safety alert symbol. These notices shown below are graded according to the degree of danger.

⚠ DANGER
indicates that death or severe personal injury will result if proper precautions are not taken.
⚠ WARNING
indicates that death or severe personal injury may result if proper precautions are not taken.
⚠ CAUTION
indicates that minor personal injury can result if proper precautions are not taken.
NOTICE
indicates that property damage can result if proper precautions are not taken.

If more than one degree of danger is present, the warning notice representing the highest degree of danger will be used. A notice warning of injury to persons with a safety alert symbol may also include a warning relating to property damage.

Qualified Personnel

The product/system described in this documentation may be operated only by **personnel qualified** for the specific task in accordance with the relevant documentation, in particular its warning notices and safety instructions. Qualified personnel are those who, based on their training and experience, are capable of identifying risks and avoiding potential hazards when working with these products/systems.

Proper use of Siemens products

Note the following:

⚠ WARNING
Siemens products may only be used for the applications described in the catalog and in the relevant technical documentation. If products and components from other manufacturers are used, these must be recommended or approved by Siemens. Proper transport, storage, installation, assembly, commissioning, operation and maintenance are required to ensure that the products operate safely and without any problems. The permissible ambient conditions must be complied with. The information in the relevant documentation must be observed.

Trademarks

All names identified by ® are registered trademarks of Siemens AG. The remaining trademarks in this publication may be trademarks whose use by third parties for their own purposes could violate the rights of the owner.

Disclaimer of Liability

We have reviewed the contents of this publication to ensure consistency with the hardware and software described. Since variance cannot be precluded entirely, we cannot guarantee full consistency. However, the information in this publication is reviewed regularly and any necessary corrections are included in subsequent editions.

Preface

These operating instructions contain all the information you need for commissioning and operation of the IOT2000 Input/Output Module. It is intended both for programming and testing personnel who commission the device and connect it with other units (automation systems, programming devices), as well as for service and maintenance personnel who install add-ons or carry out fault/error analyses.

Basic knowledge requirements

Knowledge of personal computers, operating systems and programming is required to understand this manual. General knowledge in the field automation control engineering is recommended.

Introduction

This operating instruction applies to the following device:
IOT2000, Input/Output module

Scope of this documentation

The device documentation comprises:

- SIMATIC IOT2000, Input/Output Module Install Guide in German and English

Conventions

The following generic terms are used in this documentation:

Generic term	Specific name
Device	SIMATIC IOT2000, Input/Output Module

Figures

This manual contains figures of the described devices. The supplied device may differ in some details from the figures. Within some of the figures, one device is used to represent all devices.

History

The following editions of these operating instructions have been published:

Edition	Comment
02/2017	First edition

Table of contents

	Preface	3
1	Overview.....	7
1.1	Product description	7
1.2	Structure of SIMATIC IOT2000, Input/Output Module.....	8
2	Safety notes.....	9
2.1	Industrial security	9
2.2	General safety instructions	9
2.3	Notes on connecting	10
3	Installing and connecting the IOT2000, Input/Output Module	11
3.1	Preparing for installation	11
3.1.1	Checking the delivery.....	11
3.1.2	Identification data of the device	13
3.1.3	Recycling and disposal	13
3.2	Installing IOT2000, Input/Output Module	13
3.3	Connecting the IOT2000, Input/Output Module	17
3.3.1	Notes on connecting	17
3.3.2	Connecting the power supply	17
3.3.3	Connecting the IOT2000, Input/Output Module	18
4	Technical specifications	21
4.1	Certificates and approvals	21
4.2	Technical data.....	23
4.2.1	IOT2000, Input/Output Module	23
4.2.2	Hardware Interface	25
A	Appendix.....	27
A.1	Service and support	27

Overview

1.1 Product description

IOT2000, Input/Output Module provides IOT2000 system with a variety of standard industrial input/output interface, which can provide customers with more applications.

Although the IOT2000, Input/Output Module has a ARDUINO UNO R3 compatible interface, we designed and tested for use with IOT2020 and IOT2040.

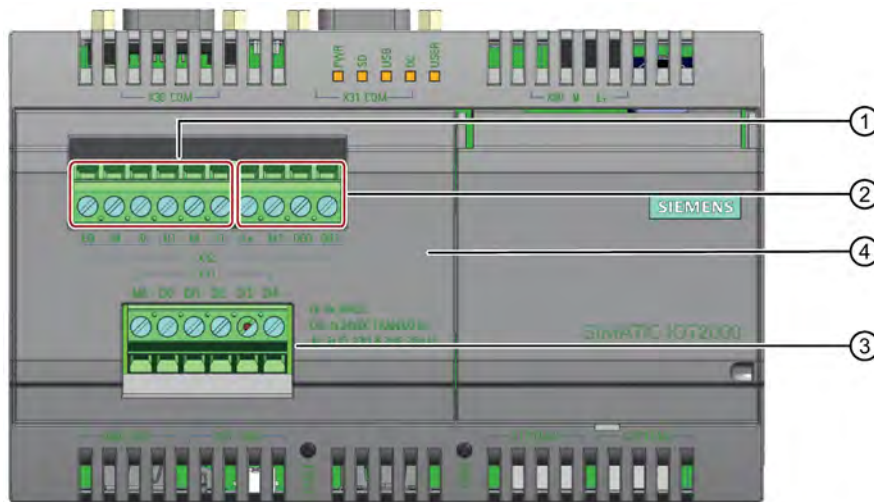
Features

- Work both for IOT2020 and IOT2040
- Depending on the industrial area of application, this module has five digital inputs, two analog inputs and two digital outputs.

1.2 Structure of SIMATIC IOT2000, Input/Output Module

IOT2000, Input/Output Module

The following figure shows the configuration and interfaces of the IOT2000, Input/Output Module.



		Interface	Interface description
①	Analog interface	M ¹⁾	Analog output
		U0, U1	Analog voltage input
		I0, I1	Analog current input
②	Digital output interface	M1 ²⁾	Ground of digital output
		L+	Power supply of digital output
		DQ0, DQ1	Digital output
③	Digital input interface	M0 ²⁾	Ground of digital input
		DI1 DI2, DI3, DI4, DI5	Digital input
④	IOT2000, Input/Output Module cover		

1) M is directly connected with the M of Arduino interface and it is not isolated.

2) M0 and M1 are isolated by optical coupling.

For more information on configuration and interfaces of the SIMATIC IOT2000, see *SIMATIC IOT2020, SIMATIC IOT2040 Operating Instructions*.

Safety notes

2.1 Industrial security

Industrial Security

Siemens provides products and solutions with industrial security functions that support the secure operation of plants, systems, machines and networks.

In order to protect plants, systems, machines and networks against cyber threats, it is necessary to implement – and continuously maintain – a holistic, state-of-the-art industrial security concept. Siemens' products and solutions only form one element of such a concept.

Customer is responsible to prevent unauthorized access to its plants, systems, machines and networks. Systems, machines and components should only be connected to the enterprise network or the internet if and to the extent necessary and with appropriate security measures (e.g. use of firewalls and network segmentation) in place.

Additionally, Siemens' guidance on appropriate security measures should be taken into account. For more information about industrial security, please visit (<http://www.siemens.com/industrialsecurity>).

Siemens' products and solutions undergo continuous development to make them more secure. Siemens strongly recommends to apply product updates as soon as available and to always use the latest product versions. Use of product versions that are no longer supported, and failure to apply latest updates may increase customer's exposure to cyber threats.

To stay informed about product updates, subscribe to the Siemens Industrial Security RSS Feed under (<http://www.siemens.com/industrialsecurity>).

2.2 General safety instructions

Strong high-frequency radiation

NOTICE
<p>Observe immunity to RF radiation</p> <p>The device has an increased immunity to RF radiation according to the specifications on electromagnetic compatibility in the technical specifications.</p> <p>Radiation exposure in excess of the specified immunity limits can impair device functions, result in malfunctions and therefore injuries or damages.</p> <p>Read the information on immunity to RF radiation in the technical specifications.</p>

ESD Guideline



Electrostatic sensitive devices can be labeled with an appropriate symbol.

NOTICE
Electrostatic sensitive devices (ESD)
When you touch electrostatic sensitive components, you can destroy them through voltages that are far below the human perception threshold.
If you work with components that can be destroyed by electrostatic discharge, observe the ESD Guideline.

2.3 Notes on connecting

⚠ WARNING
Risk of fire and electric shock
The on/off switch does not isolate the device from the power supply. Risk of electric shock if the device is opened incorrectly or defective. There is also a risk of fire if the device or connecting lines are damaged. Death or serious bodily injury can result.
You should therefore protect the device as follows:
<ul style="list-style-type: none">• Always pull out the power plug when you are not using the device or if the device is defective. The power plug must be freely accessible.• Use a central power isolating switch for cabinet installation.

⚠ WARNING
Risk of lightning strikes
A lightning flash may enter the mains cables and data transmission cables and jump to a person.
Death, serious injury and burns can be caused by lightning.
Take the following precautions:
<ul style="list-style-type: none">• Disconnect the device from the power supply in good time when a thunderstorm is approaching.• Do not touch mains cables and data transmission cables during a thunderstorm.• Keep a sufficient distance from electric cables, distributors, systems, etc.

Installing and connecting the IOT2000, Input/Output Module

3

3.1 Preparing for installation

3.1.1 Checking the delivery

Procedure

1. When accepting a delivery, please check the packaging for visible transport damage.
2. If any transport damage is present at the time of delivery, lodge a complaint at the shipping company in charge. Have the shipper confirm the transport damage immediately.
3. Unpack the device at its installation location.
4. Keep the original packaging in case you have to transport the unit again.

Note

Damage to the device during transport and storage

If a device is transported or stored without packaging, shocks, vibrations, pressure and moisture may impact the unprotected unit. A damaged packaging indicates that ambient conditions have already had a massive impact on the device.


The device may be damaged.

Do not dispose of the original packaging. Pack the device during transportation and storage.

5. Check the contents of the packaging and any accessories you may have ordered for completeness and damage.

3.1 Preparing for installation

6. If the contents of the packaging are incomplete, damaged or do not match your order, inform the responsible delivery service immediately. Fax the enclosed form "SIMATIC IPC/PG Quality Control Report".

 WARNING
Electric shock and fire hazard due to damaged device A damaged device can be under hazardous voltage and trigger a fire in the machine or plant. A damaged device has unpredictable properties and states. Death or serious injury could occur. Make sure that the damaged device is not inadvertently installed and put into operation. Label the damaged device and keep it locked away. Send off the device for immediate repair.

NOTICE
Damage from condensation If the device is subjected to low temperatures or extreme fluctuations in temperature during transportation, for example in cold weather, moisture could build up on or inside the device. Moisture causes a short circuit in electrical circuits and damages the device. In order to prevent damage to the device, proceed as follows: <ul style="list-style-type: none">• Store the device in a dry place.• Bring the device to room temperature before starting it up.• Do not expose the device to direct heat radiation from a heating device.• If condensation develops, wait approximately 12 hours or until the device is completely dry before switching it on.

7. Please keep the enclosed documentation in a safe place. It belongs to the device. You need the documentation when you commission the device for the first time.
8. Write down the identification data of the device.

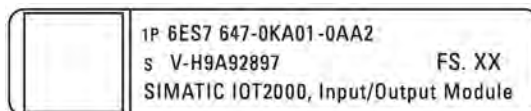
3.1.2 Identification data of the device

The device can be clearly identified with the help of this identification data in case of repairs or theft.

Enter the identification data in the following table:

Order number	6ES ...
Serial number	S VP
Production version	FS

You can find the order number, serial number and production version (FS) from the rating plate.



3.1.3 Recycling and disposal

Marking according to WEEE guideline. Do not discard the device with your household waste. Observe the local legal guidelines for disposal. Alternatively, you can use a certified disposal service company.

3.2 Installing IOT2000, Input/Output Module

Requirements

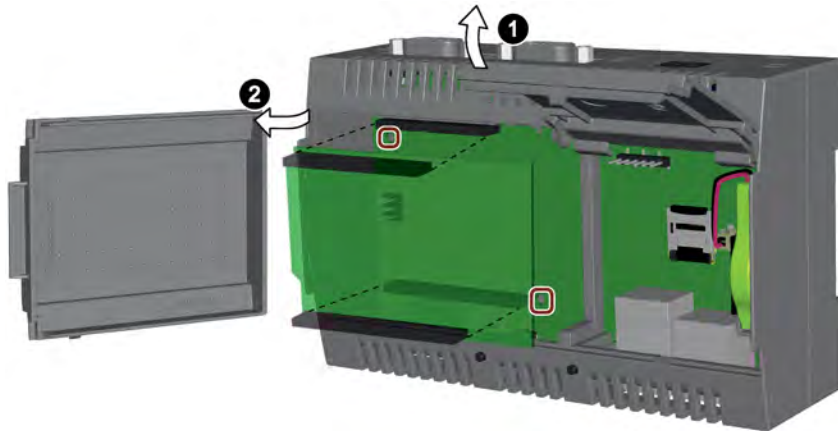
- IOT2000 is disconnected from the power supply.

<p>! WARNING</p> <p>Risk of fire and electric shock</p> <p>The on/off switch does not isolate the device from the power supply. Risk of electric shock if the device is opened incorrectly or defective. There is also a risk of fire if the device or connecting lines are damaged. Death or serious bodily injury can result.</p> <p>You should therefore protect the device as follows:</p> <ul style="list-style-type: none"> • Always pull out the power plug when you are not using the device or if the device is defective. The power plug must be freely accessible. • Use a central power isolating switch for cabinet installation.
--

Procedure

NOTICE
Install IOT2000, Input/Out Module
Do not under any circumstances insert the module incorrectly. Ensure that the contact pins of the module connect correctly with the terminal strips of the motherboard.

1. Open the right cover of IOT2000 and lift up the cover.
2. Slightly raise the left cover of IOT2000 and lift it to the left.



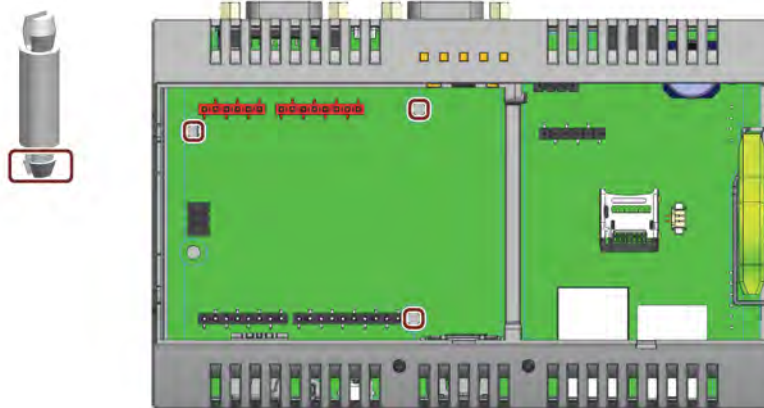
3. Configure the pin connector via the jumper as shown below to enable the AI interface.

Jumpers position function		
1-2	Enable AI interface	
2-3	protected(default)	

Enable AI interface protected(defaulted)

4. Insert the mounting clamp into the marked boreholes on the motherboard shown below.

Note: Insert the marked side of the mounting clamp into the motherboard.



NOTICE

Only use fixing elements designed for IOT2000, Input/Output Module

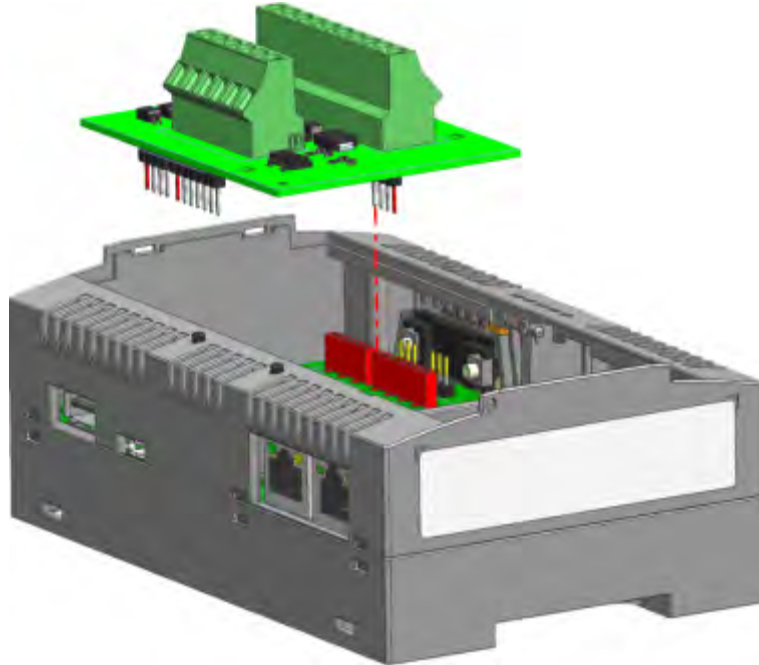
Use only fixing elements shipped together with the module. If you use other fixing elements, the motherboard may be damaged.

5. Fit the contact pins of the module on the contact sockets of the motherboard. Then insert the IOT2000, Input/Output Module into the motherboard.

NOTICE

Risk of contact pin damage


Ensure that the contact pins of the module fit perfectly on the contact sockets of the motherboard before you push the IOT2000, Input/Output Module into the mounting clamp. Otherwise the pin may be deformed.



6. Install the module cover to the IOT2000. Snap the left side of the cover first, then press the right of the cover until it clips in the housing.
7. Install the right cover.

3.3 Connecting the IOT2000, Input/Output Module

3.3.1 Notes on connecting

 WARNING
Risk of lightning strikes A lightning flash may enter the mains cables and data transmission cables and jump to a person. Death, serious injury and burns can be caused by lightning. Take the following precautions: <ul style="list-style-type: none">• Disconnect the device from the power supply in good time when a thunderstorm is approaching.• Do not touch mains cables and data transmission cables during a thunderstorm.• Keep a sufficient distance from electric cables, distributors, systems, etc.

NOTICE
Damage through regenerative feedback Regenerative feedback of voltage to ground by a connected or installed component can damage the device. Connected or built-in I/Os, for example, a USB drive, are not permitted to supply any voltage to the device. Regenerative feedback is generally not permitted.

3.3.2 Connecting the power supply

Note

The device should only be connected to a 9...36 V DC power supply which meets the requirements of safe extra low voltage (SELV) according to IEC/EN/DIN EN/UL 60950-1.

The power supply must meet the requirement NEC Class 2 or LPS according to IEC/EN/DIN EN/UL 60950-1.

Note

The power supply must be adapted to the input data of the device, see chapter " IOT2000, Input/Output Module (Page 23)". If there are voltage peaks on power supply lines, use a protective device in the form of a varistor (MOV) UMOV = U-rated x 1.2 (BLITZDUCTOR BVT AVD 24 (918 422) or compatible).

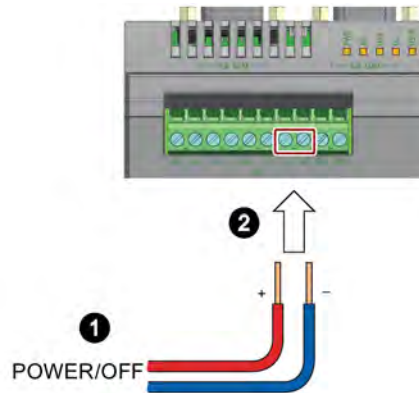
3.3 Connecting the IOT2000, Input/Output Module

Requirement

- A two-core cable with a cable cross-section of 0.75 mm² to 2.5 mm².
- A slotted screwdriver with a 3mm blade.

Procedure

1. Switch off the power supply.
2. Connect the lines to the connecting terminal as shown.



3.3.3 Connecting the IOT2000, Input/Output Module

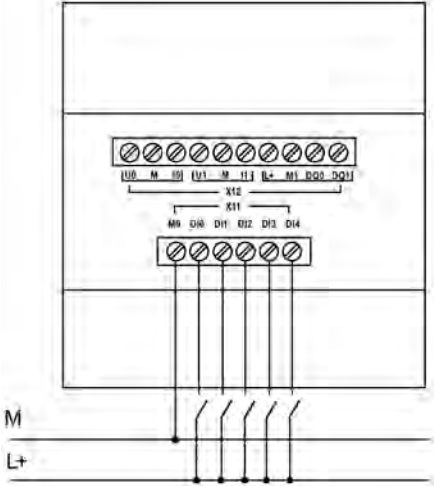
Requirements

- IOT2000 is disconnected from the power supply.

⚠ WARNING
Risk of fire and electric shock
The on/off switch does not isolate the device from the power supply. Risk of electric shock if the device is opened incorrectly or defective. There is also a risk of fire if the device or connecting lines are damaged. Death or serious bodily injury can result.
You should therefore protect the device as follows:
<ul style="list-style-type: none">• Always pull out the power plug when you are not using the device or if the device is defective. The power plug must be freely accessible.• Use a central power isolating switch for cabinet installation.

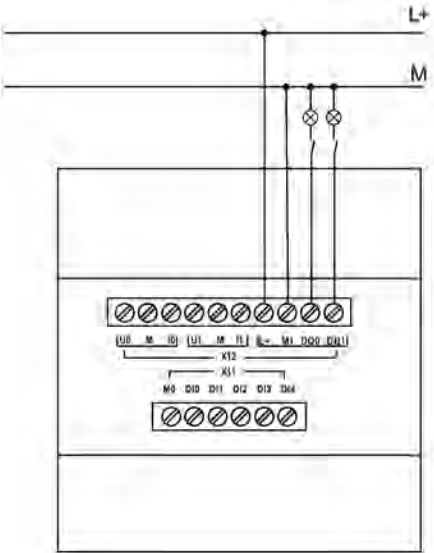
Connecting digital inputs

The figure below shows how to connect the digital inputs of IOT2000, Input/Output Module.



Connecting digital outputs

The figure below shows how to connect the digital outputs of IOT2000, Input/Output Module.

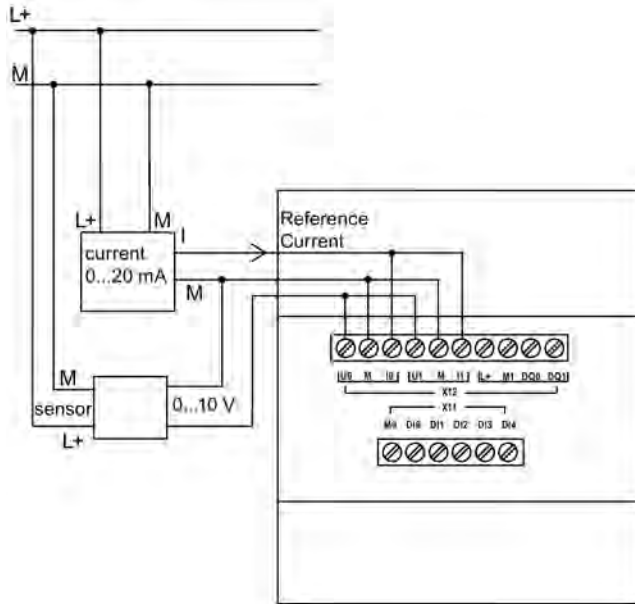


Connecting analog inputs

The figure below shows how to connect the analog inputs of IOT2000, Input/Output Module.

Note

Do use shield cables to connect the analog inputs.



Technical specifications

4.1 Certificates and approvals

Note

Applicability

The following shows the approvals that may be available. The device itself is certificated as shown on the product label and package label.

ISO 9001 certificate

The SEWC quality management system for all production processes (development, production and sales) meets the requirements of GB/T 19001-2008/ISO 9001:2008, ISO 14001:2004 + Cor. 1:2009 and BS OHSAS 18001:2007.

This has been certified by TÜV.

Certificate registration no. 01 100 1430201, 01 104 1430201 and 01 113 1430201.

Software license agreements

If the device is supplied with preinstalled software, you must observe the corresponding license agreements.



The device meets the guidelines listed in the following sections.

EC Declaration of Conformity

The associated declaration of conformity is available on the Internet at the following address: (<https://support.industry.siemens.com/cs/ww/en/ps/16739/cert>).

UL approval



The following approvals are available for the device:

- Underwriters Laboratories (UL) in accordance with standard UL61010-2-201 (IND.CONT.EQ), File E472609
- Canadian National Standard CAN/CSA-C22.2 No. 61010-2-201

Australia and New Zealand



This product meets requirements of EN IEC 61000-6-4:2011 Generic standard.

4.1 Certificates and approvals

Identification for Eurasian Customs Union

- EAC (Eurasian Conformity)
- Customs union of Russia, Belarus and Kazakhstan
- Declaration of conformity according to Technical Regulations of the Customs Union (TR CU)

FCC and Canada

USA	
Federal Communications Commission Radio Frequency Interference Statement	This equipment has been tested and found to comply with the limits for a Class A digital device, pursuant to Part 15 of the FCC Rules. These limits are designed to provide reasonable protection against harmful interference when the equipment is operated in a commercial environment. This equipment generates, uses, and can radiate radio frequency energy and, if not installed and used in accordance with the instruction manual, may cause harmful interference to radio communications. Operation of this equipment in a residential area is likely to cause harmful interference in which case the user will be required to correct the interference at his own expense.
Shielded Cables	Shielded cables must be used with this equipment to maintain compliance with FCC regulations.
Modifications	Changes or modifications not expressly approved by the manufacturer could void the user's authority to operate the equipment.
Conditions of Operations	This device complies with Part 15 of the FCC Rules. Operation is subject to the following two conditions: (1) this device may not cause harmful interference, and (2) this device must accept any interference received, including interference that may cause undesired operation.

Canada	
Canadian Notice	This Class A digital apparatus complies with Canadian ICES-003 (A).
Avis Canadien	Cet appareil numérique de la classe A est conforme à la norme NMB-003 (A) du Canada.

4.2 Technical data

4.2.1 IOT2000, Input/Output Module

IOT2000, Input/Output Module	
MLFB	6ES7647-0KA01-0AA2
Digital inputs	
Number	5
Electrical isolation	Yes
Number of high speed inputs	0
Input frequency	
<ul style="list-style-type: none"> • Normal input • High speed input 	<ul style="list-style-type: none"> • Max. 20 Hz • --
Max. continuous permissible voltage	28.8 VDC
Input voltage	
Signal 0	< 5 VDC
Signal 1	> 12 VDC
Input current at	
Signal 0	< 0.9 mA
Signal 1	> 2.1 mA
Input current at	
0 to 1	• Typ. 1.5 ms
1 to 0	• Typ. 1.5 ms
Line length (unshielded)	Max. 100 m
Analog inputs	
Number	2 voltage channel & 2 current channel
Type	Unipolar
Input range	0 VDC to 10 VDC (input impedance 38 k Ω) 0 mA to 20 mA (input impedance <380 Ω)
Resolution	9 bit
Line length (shielded and twisted)	Max. 10 m
Electrical isolation	NO
Error limit	$\pm 3\%$ ¹⁾
Digital outputs	
Number	2
Output type	Transistor, current-sourcing
Electrical isolation	Yes
In groups of	--
Output supply voltage permissible range (L+)	20.4VDC to 28.8 VDC
Output voltage	\leq Supply voltage

4.2 Technical data

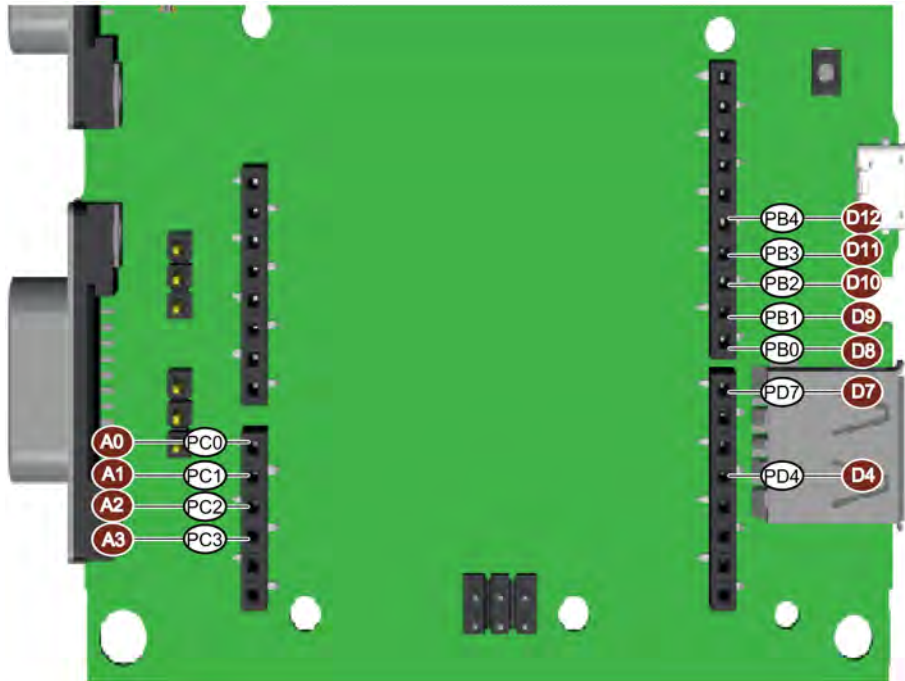
IOT2000, Input/Output Module	
Output current	Max. 0.3 A per channel
Short circuit-proof and overload-proof	Yes
Short circuit current limitation	Approx. 1 A per channel
Derating	None; across the entire temperature range
Parallel output circuit for power increase	Not permitted
Protection of output relay (if desired)	- -
Switching rate	
Mechanical	- -
Electrical	10 Hz
Resistive load/lamp load	10 Hz
Inductive load	0.5 Hz

¹⁾ Under poor EMC environment, the accuracy of analog input might get worse. You may need to include software filter in your image when use the analog input.

4.2.2 Hardware Interface

This input/output module is designed for IOT2000. For the detail technical specification, refer to *Technical data* in *IOT2000 Operating Instruction*.

You can control the I/O state by the user application port as shown below.



Description	Function	User application port	Inter-Connection
DI0	Digital Input	D12	PB4
DI1		D11	PB3
DI2		D10	PB2
DI3		D9	PB1
DI4		D4	PD4
DQ0	Digital Output	D8	PB0
DQ1		D7	PD7
U0	Analog Input	A0	PC0
I0		A1	PC1
U1		A2	PC2
I1		A3	PC3
M	M		
P5V	P5V		
P24V	P24V		

Appendix

A.1 Service and support

You can find additional information and support for the products described on the Internet at the following addresses:

- Technical support
(<https://support.industry.siemens.com>)
- Support request form
(<http://www.siemens.com/automation/support-request>)
- After Sales Information System SIMATIC IPC/PG
(<http://www.siemens.com/asis>)
- SIMATIC Documentation Collection
(<http://www.siemens.com/simatic-tech-doku-portal>)
- Your local representative
(<http://www.automation.siemens.com/mcms/aspa-db/en/Pages/default.aspx>)
- Training center
(<http://sitrain.automation.siemens.com/sitrainworld/?AppLang=en>)
- Industry Mall
(<https://mall.industry.siemens.com>)

When contacting your local representative or Technical Support, please have the following information at hand:

- MLFB of the device
- BIOS version for industrial PC or image version of the device
- Other installed hardware
- Other installed software

Tools & downloads

Please check regularly if updates and hotfixes are available for download to your device. The download area is available on the Internet at the following link:

After Sales Information System SIMATIC IPC/PG (<http://www.siemens.com/asis>)

